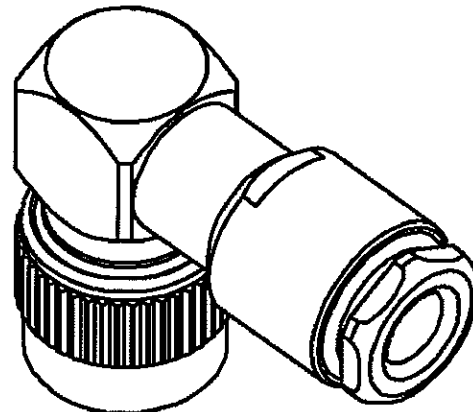
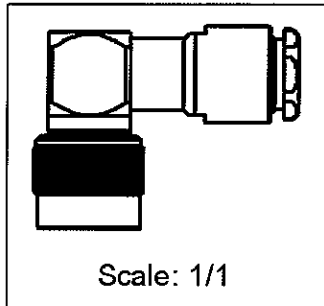
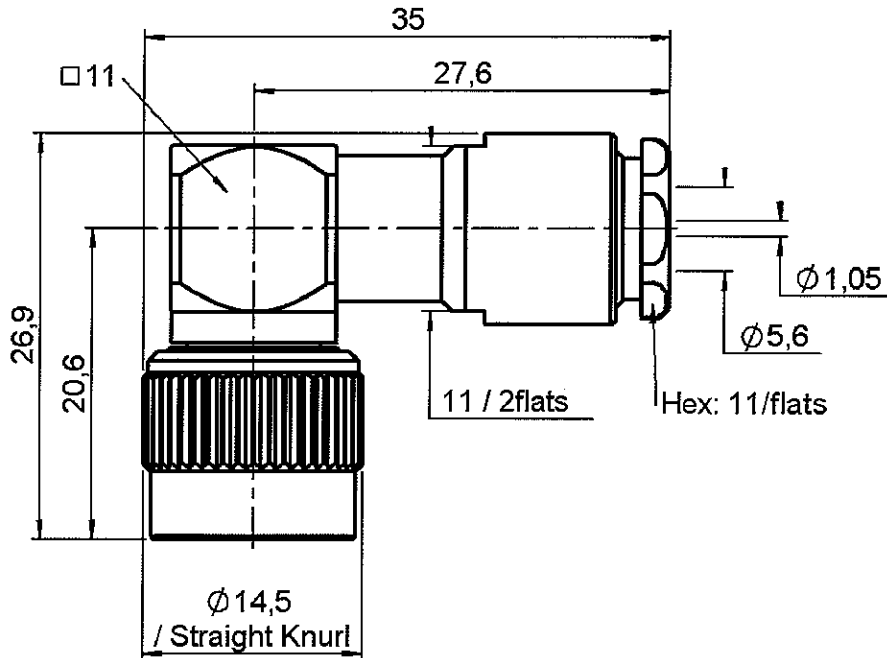


**RIGHT ANGLE PLUG CLAMP TYPE**

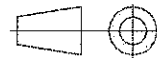
**R143.156.000**

**CABLE 5/50 S+D**

Series : TNC



All dimensions are in mm.



COMPONENTS	MATERIALS	PLATINGS (µm)
BODY	BRASS	NICKEL 2
CENTER CONTACT	BRASS	GOLD 0.5 OVER NICKEL 2
OUTER CONTACT	-	-
INSULATOR	PTFE	-
GASKET	SILICONE RUBBER	-
OTHERS PARTS	BRASS	NICKEL 2
-	-	-
-	-	-

Issue : 0534 V

In the effort to improve our products, we reserve the right to make changes judged to be necessary.



**RIGHT ANGLE PLUG CLAMP TYPE**

**R143.156.000**

**CABLE 5/50 S+D**

Series : TNC

**PACKAGING**

Standard	Unit	Other
1	-	Contact us

**SPECIFICATION**

QAE 06-02A - -

**ELECTRICAL CHARACTERISTICS**

Impedance		<b>50</b> Ω
Frequency		<b>0-11</b> GHz
VSWR	<b>1.40*</b> +	<b>0.000</b> x F(GHz) Maxi
Insertion loss		<b>0.07</b> √F(GHz) dB Maxi
RF leakage	- (	<b>57</b> - F(GHz)) dB Maxi
Voltage rating		<b>500</b> Veff Maxi
Dielectric withstanding voltage		<b>1500</b> Veff mini
Insulation resistance		<b>5000</b> MΩ mini

**CABLE ASSEMBLY**

Stripping	a	b	c	d	e	f
mm	3.00	7.00	0.00	0.00	2.50	0.00

Assembly instruction : **Clamp 02**

Recommended cable(s)

RG 58  
KX 15  
RG 141  
RG 223  
RG 142  
RG 400  
KX 23  
RG 142 FTX

Cable retention

- pull off **180** N mini  
- torque **NA** N.cm

**MECHANICAL CHARACTERISTICS**

Center contact retention		
Axial force – Mating end		<b>27</b> N mini
Axial force – Opposite end		<b>27</b> N mini
Torque		<b>NA</b> N.cm mini

**TOOLING**

Part Number	Description	Hexagon
.	.	.

Recommended torque		
Mating		<b>NA</b> N.cm
Panel nut		<b>NA</b> N.cm
Clamp nut		<b>450</b> N.cm
A/F clamp nut	<b>11.000</b>	mm

Mating life	<b>500</b>	Cycles mini
Weight	<b>29.890</b>	g

**OTHERS CHARACTERISTICS**

\*VSWR<1.40 for frequency band DC-6GHz  
\*VSWR<1.60 for frequency band 6GHz-11GHz

**ENVIRONMENTAL**

Operating temperature	<b>-65/+165</b>	° C
Hermetic seal	<b>NA</b>	Atm.cm3/s
Panel leakage	<b>NA</b>	

Issue : 0534 V

In the effort to improve our products, we reserve the right to make changes judged to be necessary.



**RADIALL**®